

- D** Torbodenverriegelung
- F** Verrouilleur Sol
- GB** Mechanical Door Latch

EC - Producer's - Declaration of Conformity

We, Chamberlain GmbH
Alfred-Nobel-Strasse 4 D66793 Saarwellingen

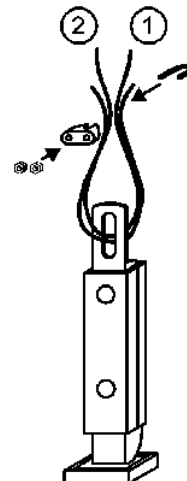
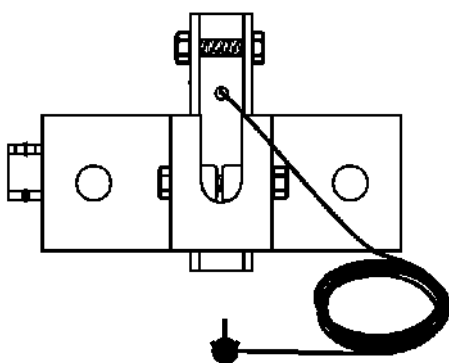
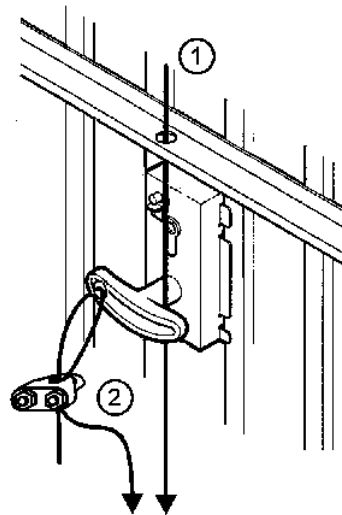
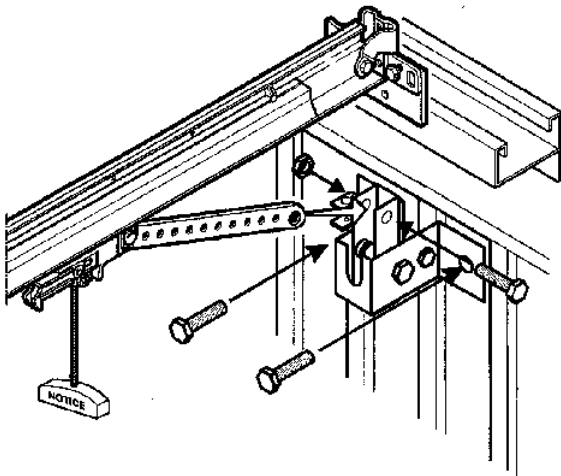
declare, that the following machinery complies with all the essential health and safety requirements of the Directive.
Description of machinery: Door Latch
EU Directives:

Type of machinery: **MDL100LM**
EC Directive for low voltage 73/23/ECC
EC Directive electromagnetic compatibility 89/336/ECC with amendments

Applicable harmonized standards: EN 55011, EN 55014, EN 60555-2/-3
B.P. Kelkhoff
Manager, Regulatory Affairs
Chamberlain GmbH
D-66793 Saarwellingen

Barbara P. Kelkhoff
December, 2006

Installation



Chamberlain GmbH
Alfred-Nobel-Str. 4
66793 Saarwellingen
Tel.: 06838/9070
Fax.: 06838/907-179

Chamberlain Australia Pty Ltd.
7-9 Orion Rd
NSW 2066
Phone: 1800 638 234
Fax: 1800 888 121

New Zealand
Phone: 09 415 4393
Fax: 0800 653 663